

**PFAFF®**

# creative vision™ Bag

Finished size: 13" x 4" x 12" (33 x 10 x 30 cm)



## Sewing Supplies

- Vouge pattern V8439 view A
- 20" x 55" (50 x 140 cm) bronze denim fabric
- 20" x 55" (50 x 140 cm) black lining
- Scraps of black wool fabric for appliqué
- Sewing thread to match fabric
- Metallic embroidery thread
- 40 wt. Embroidery thread
- Bobbin thread
- Tear away stabilizer
- 3 ½" x 12 ½" (9 x 32 cm) Cardboard for bottom of bag
- 2 - 18" (45 cm) leather handles
- 2 Magnet tote bag closures
- 11 bronze pearls for embellishment
- Yarn to match the fabric

## PFAFF® Sewing Machines and Accessories

- PFAFF® creative™ sewing and embroidery machine
- PFAFF® hobbylock™
- Embroidery Design Collection # 426  
Create with yarn couching 820706-096
- creative™ MASTER HOOP 240 x 150mm  
412968502
- creative™ DELUXE HOOP 360 x 200mm  
412944502
- Yarn Couching foot set 820912-096
- Narrow Edge foot 820609-096
- Inspira Embroidery needle Size 90  
6200718-96
- 12" x 51" (30 x 130 cm) stiff fusible  
interfacing or Ultra stable roll (25cm x 5m)  
5000034-96

You will find these and many other accessories in the PFAFF® Accessory Catalogue, on [www.pfaff.com](http://www.pfaff.com), and for purchase at your Authorized PFAFF® Dealer.

3/8" (1 cm) seam allowance included in all measurements.

## CUT

From bronze denim fabric:

1 – 17" x 18" (43 x 46cm) front bag piece for embroidery.

All others pieces according to pattern (not the handle pieces).

From black lining:

1 – 22" x 28" (56 x 71cm) for shaping embroidery

From interfacing: all pieces according to pattern

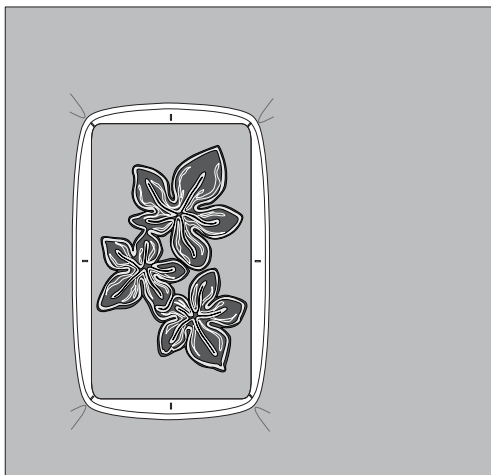
## Embroider

### Front piece:

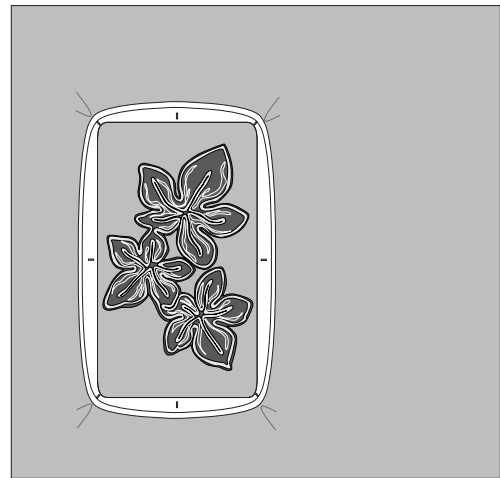
Set your machine for embroidery. Insert an embroidery needle. Thread your machine with metallic embroidery thread on top and bobbin thread in the bobbin.

Before starting, read the User's Instructions included with the Yarn Couching foot set.

Hoop bronze denim piece 17" x 18" (43cm x 46cm) and tear away stabilizer in the vision™ MASTER HOOP on the left side of fabric piece, see illustration 1. Select Design #13. Embroider using yarn and appliqué as suggested in the embroidery booklet instructions. Illustration 1



Continue embroidering a design on the right side of the bronze denim piece with yarn and appliqué. Use Precise Positioning to make it easy to position them in exactly the right spot. Illustration 2



Once the embroideries are complete, trim the denim piece down to measure 12" x 13 3/4" (32 x 35 cm) with the design centered.

### Interfacing:

Using an iron, fuse the interfacing to the wrong side of the back, front, flap and side pieces.

### Lining:

Use the shaping function in your PFAFF® creative vision™ 5.5 sewing and embroidery machine to create your embroidery design on the lining of the bag.

Set your machine in embroidery edit mode and



select stitch # 5.1.13

Touch shaping and select Shape Circle clockwise (third icon from the top).

Touch Duplicate last to get eight copies of the selected stitch in total.

Set the size of the shape to 36.0 x 36.0.

Touch OK to confirm you settings and to close the Shaping pop-up.

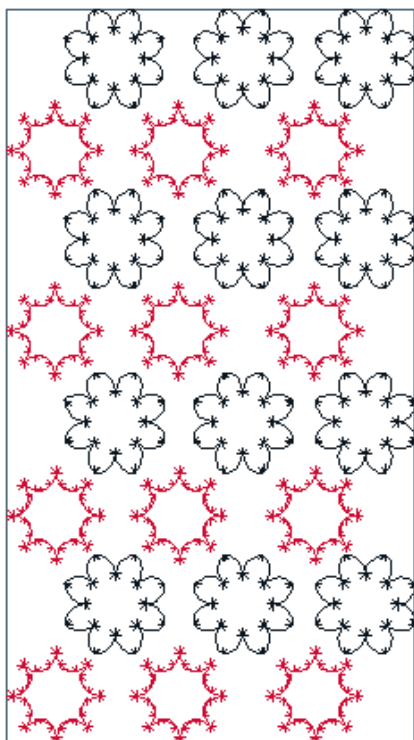
When you are in the embroidery edit screen, touch duplicate to copy the whole shape. With the second shape selected, touch shaping again to make a new version of this shape.



Touch Select side positioning and select the third icon from the left to put the stitches "inside-out" on the shape line. Touch OK to confirm you settings and close the Shaping pop-up.

In the embroidery edit screen you can select which embroidery hoop you would like to use, you can change the colors, duplicate and place the designs as you like. See your owner's manual for more information.

We used the creative DELUXE HOOP and placed the embroideries as shown. Illustration 3



Hoop the black lining piece 22" x 28" (56 x 71 cm) and tear-away stabilizer in the creative DELUXE HOOP. Embroider the shape design in two colours. We used silver and bronze. Continue to embroider the whole black lining piece with shape embroideries.

Cut 1 - flap, back and facing piece from the embroidered lining piece.

Continue to cut remaining lining pieces according to the pattern pieces.

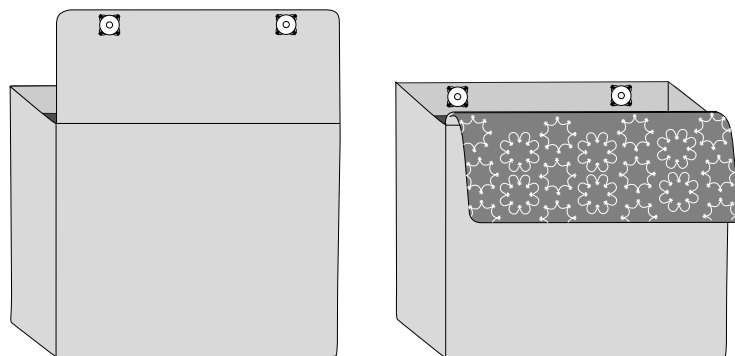
## Sew

Set your machine for sewing. Thread with sewing thread in top and bobbin

Overcast all pieces with a 3-step zigzag on your PFAFF® creative™ sewing machine or use a three-thread overlock on your PFAFF® hobbylock™.

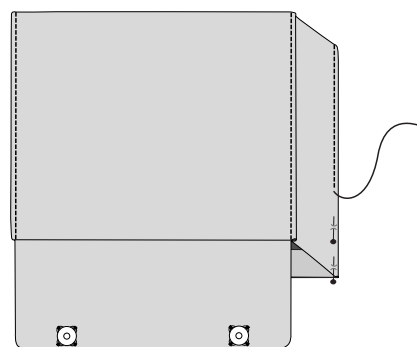
Continue to sew the bag following the pattern instructions.

Sew one part of the magnet closure on the outside of the flap and one part on the inside of the bag front see illustration. Illustration 4



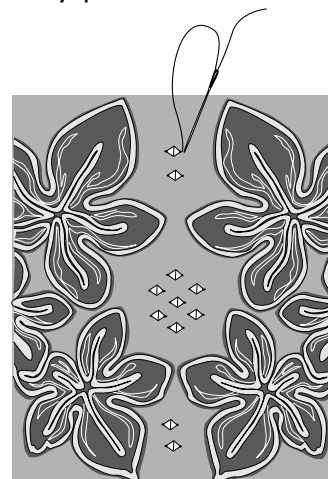
## Edge stitch the bag:

Snap on the Narrow Edge foot and move needle position slightly to the left. Edge stitch the right side of the bag bottom corner to the top edge. Continue to edge stitch the left side in and on the back side in the same way. Illustration 5



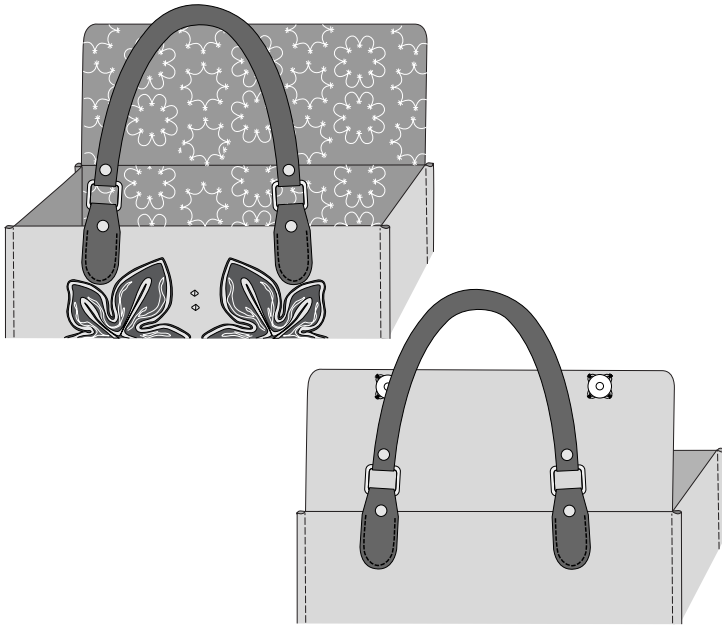
## Embellish

Sew the bronze pearls in place by hand on the front embroidery piece see illustration. Illustration 6



## Handle:

Pin the handle on the right side of both the front and back as illustrated. Sew the handle in place from the right side. Illustration 7



Finished!